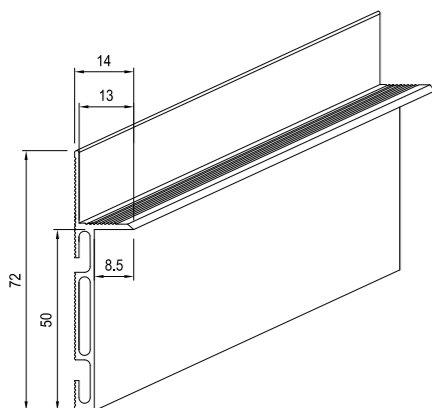


BATTISCOPA FILO MURO FLUSH-FITTING SKIRTING BOARD



MODELLO SCORREVOLE SENZA STIPITI SLIDING MODEL WITHOUT DOORPOSTS

ESSENTIAL / TECHZERO / MAGNIFICO FIT

INTONACO PLASTER

SPESSORE PARETE WALL THICKNESS	KIT KIT
105	C + A
125	C + A
145	C + A

ESSENTIAL / TECHZERO / MAGNIFICO FIT

CARTONGESSO PLASTERBOARD

SPESSORE PARETE WALL THICKNESS	KIT KIT
100	A + A
125	B + A
125 2L	B + A
150 2L	B + A

MODELLO FILOMURO BATTENTE FLUSH-FITTING SWING MODEL

BATTENTE50 / PIUMA / RELAX / TRAPEZOIDALE
SENZA TRAVERSO / ACUSTICA FILOMURO

SPESSORE PARETE WALL THICKNESS	VERSO APERTURA OPENING DIRECTION	KIT KIT
100 cartongesso / plasterboard 105 intonaco / plaster	SPINGERE PUSH	B + B
100 cartongesso / plasterboard 105 intonaco / plaster	TIRARE PULL	B + B
90 oltre / and over	SPINGERE PUSH	B + A
90 oltre / and over	TIRARE PULL	B + B

FILO44

VERSO APERTURA OPENING DIRECTION	KIT KIT
SPINGERE PUSH	B + A
TIRARE PULL	A + A

MOD. A (STANDARD) 2 pz. L=2000mm 2 pcs. L=2000 mm	GIUNTO LINEARE (D) LINEAR JOINT (D)	10 pz 10 pcs.	GIUNTO VARIABILE A PIEGARE (F) VARIABLE BENDING JOINT (F)	10 pz 10 pcs.
	GIUNTO x GRADINI (E) JOINT FOR STEPS (E)	10 pz 10 pcs.		x°

MOD. B
2 pz. L=2000mm
2 pcs. L=2000 mm

DESTRO RIGHT
SINISTRO LEFT

MOD. C
2 pz. L=2000mm
2 pcs. L=2000 mm

DESTRO RIGHT
SINISTRO LEFT