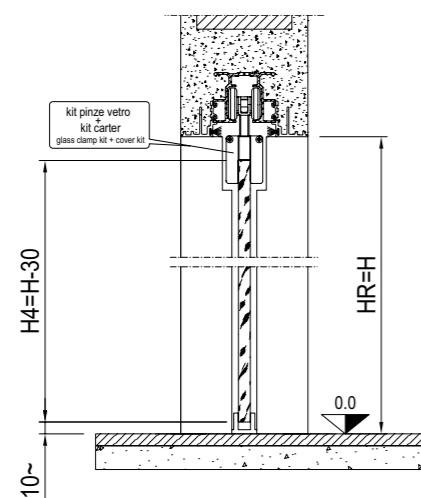
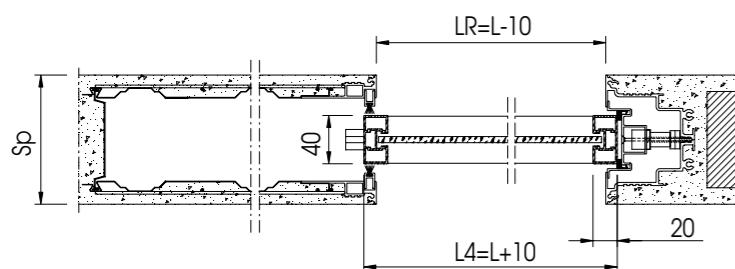


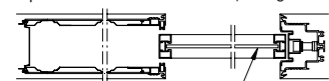
ACQUA SINGOLA SINGLE



Eseguire sempre il rilievo misure prima di ordinare la porta
Always take measurements before ordering the door

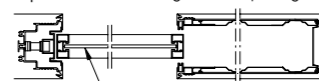


Apertura a SX - Left-hand opening



Lato satinato
Satin-finished side

Apertura a DX - Right-hand opening



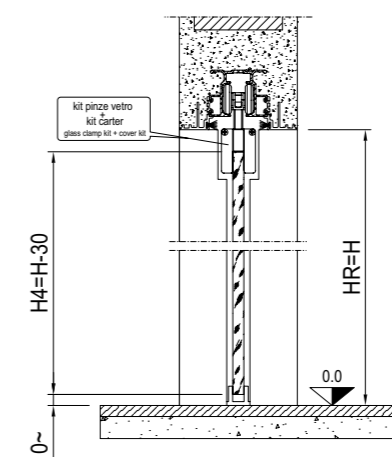
Lato satinato
Satin-finished side

ALLUMINIO
ALUMINIUM

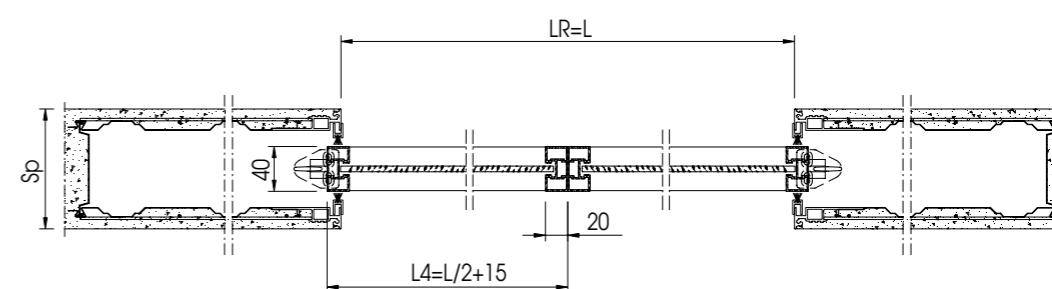
VETRO TEMPERATO O STRATIFICATO
TEMPERED OR LAMINATED GLASS

LUCE DI PASSAGGIO CLEAR OPENING SIZE	LUCE REALE EFFECTIVE OPENING DIMENSIONS	MISURA ANTA DOOR MEASUREMENT	SPESSORE PARETE FINISHED WALL
L x H	LR x HR	L4 x H4	Sp
600 x 1900 ÷ 2700	590 x 1900 ÷ 2700	610 x 1895 ÷ 2695	Intonaco Plaster 105 - 125 - 145 Cartongesso Plasterboard 100 - 125 - 125 L2 - 150L2
700 x 1900 ÷ 2700	690 x 1900 ÷ 2700	710 x 1895 ÷ 2695	
750 x 1900 ÷ 2700	740 x 1900 ÷ 2700	760 x 1895 ÷ 2695	
800 x 1900 ÷ 2700	790 x 1900 ÷ 2700	810 x 1895 ÷ 2695	
900 x 1900 ÷ 2700	890 x 1900 ÷ 2700	910 x 1895 ÷ 2695	
1000 x 1900 ÷ 2700	990 x 1900 ÷ 2700	1010 x 1895 ÷ 2695	
1100 x 1900 ÷ 2700	1090 x 1900 ÷ 2700	1110 x 1895 ÷ 2695	
1200 x 1900 ÷ 2700	1190 x 1900 ÷ 2700	1210 x 1895 ÷ 2695	

ACQUA DOPPIA DOUBLE



Eseguire sempre il rilievo misure prima di ordinare la porta
Always take measurements before ordering the door



ALLUMINIO
ALUMINIUM

VETRO TEMPERATO O STRATIFICATO
TEMPERED OR LAMINATED GLASS

LUCE DI PASSAGGIO CLEAR OPENING SIZE	LUCE REALE EFFECTIVE OPENING DIMENSIONS	MISURA ANTA DOOR MEASUREMENT	SPESSORE PARETE FINISHED WALL
L x H	LR x HR	L4 x H4	Sp
1200 x 1900 ÷ 2700	1200 x 1900 ÷ 2700	615 x 1895 ÷ 2695	Intonaco Plaster 105 - 125 - 145 Cartongesso Plasterboard 100 - 125 - 125 L2 - 150L2
1400 x 1900 ÷ 2700	1400 x 1900 ÷ 2700	715 x 1895 ÷ 2695	
1600 x 1900 ÷ 2700	1600 x 1900 ÷ 2700	815 x 1895 ÷ 2695	
1800 x 1900 ÷ 2700	1800 x 1900 ÷ 2700	915 x 1895 ÷ 2695	
2000 x 1900 ÷ 2700	2000 x 1900 ÷ 2700	1015 x 1895 ÷ 2695	
**2200 x 1900 ÷ 2700	2200 x 1900 ÷ 2700	1115 x 1895 ÷ 2695	
**2400 x 1900 ÷ 2700	2400 x 1900 ÷ 2700	1215 x 1895 ÷ 2695	